

wireless tank gauge

Product: Wireless Tank Gauge

Code: TAWG01



Monitoring rainwater from within the home or office.

Product Description

The Rain Harvesting Wireless Tank Gauge is a rainwater tank level indicator that facilitates the measurement of water remaining in a rainwater tank. The Wireless Tank Gauge consists of a Transmitter and Receiver and it displays the amount of water remaining using indicating arrows on a metered face on the Transmitter, which then transmits this water level data wirelessly to a Receiver located elsewhere, most often within the users home to display on the Receiver's LCD screen. This makes it easier than ever for the user to quickly monitor the water level in their water tank without having to go outside to the location of the tank and Transmitter.

Features and Benefits

- Simple set up
- Transmits signals wirelessly to the receiver up to 100 metres away
- Tank level working range of +/-5%, due to the use of a solid float system
 - * Utilises a reliable solid float system that does not rely on ultrasonic beams
 - * Will not interfere or snag on any internal components
- Easy to read dial face with 'Empty' and 'Full' indicators
- Suitable for all vented tanks up to 3 metres tall
- Requires a standard 35mm hole saw
- 4 x AAA batteries required

Compliance



FCC ID: PS4TAWG01

This device (model TAWG01) complies with part 15 of the FCC Rules. Operation is subject to the following two conditions: (1) This device may not cause harmful interference, and (2) this device must accept any interference received, including interference that may cause undesired operation.



N15501

This device complies with the applicable standard and establishes a traceable link between the device and the manufacturer, responsible for compliance and for placing it on the Australian market.



CE marking is a key indicator of a product's compliance with EU legislation and enables the free movement of products within the European market.

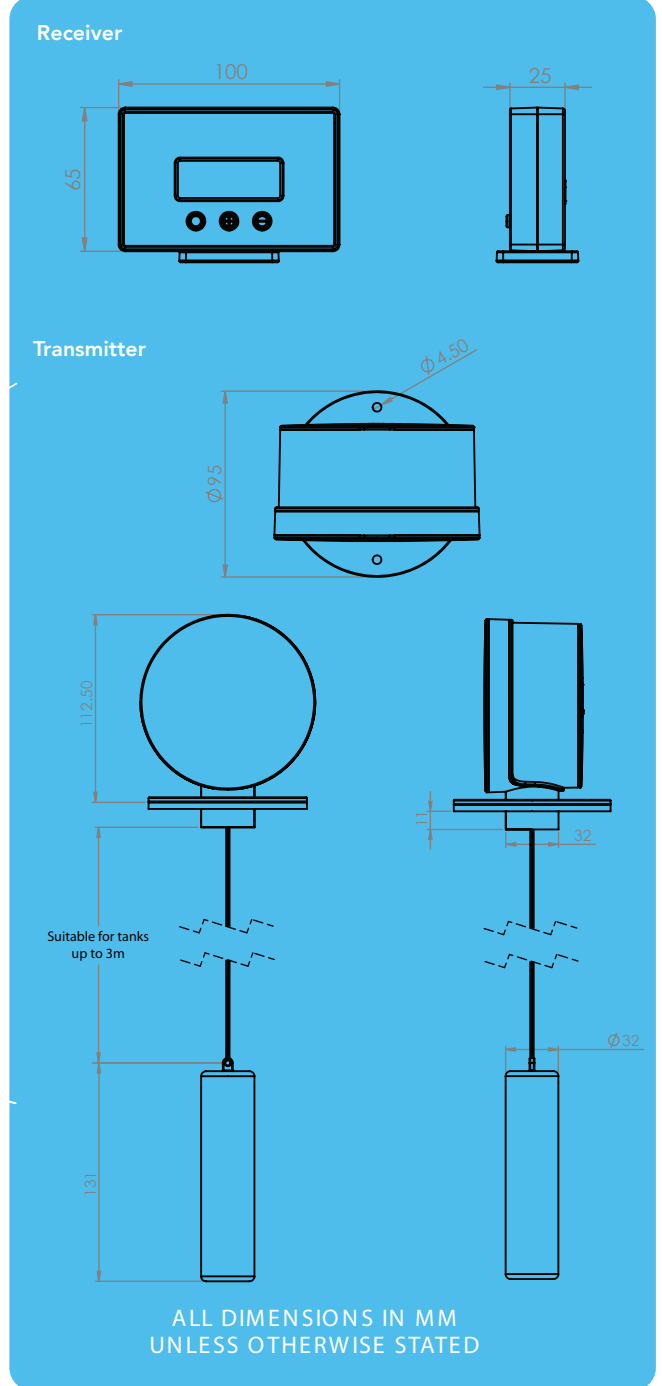
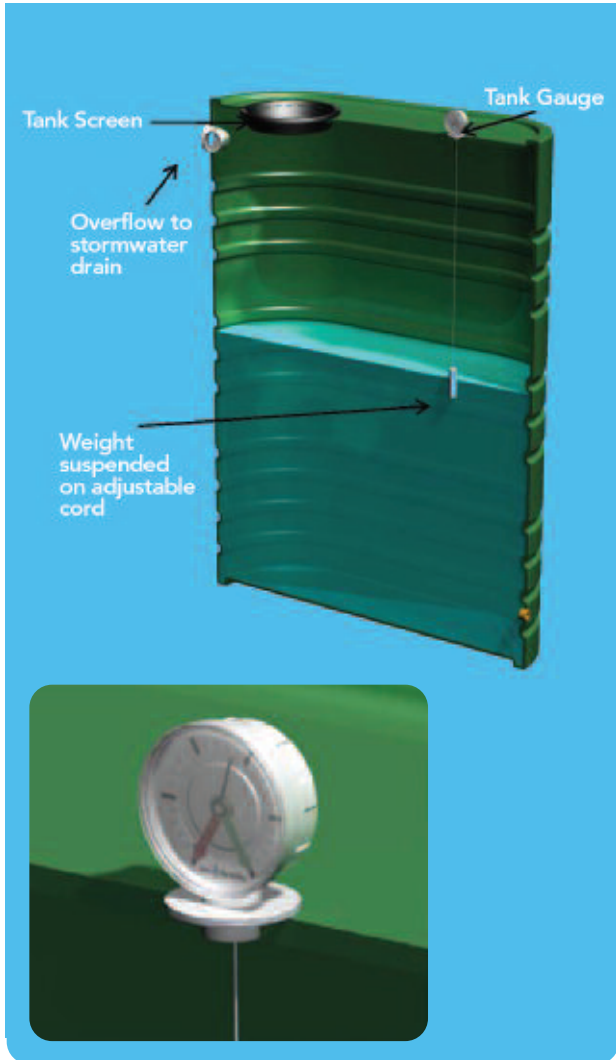


RoHS

The Waste Electrical and Electronic Equipment Directive (WEEE Directive) is the European Community directive 2002/96/EC on waste electrical and electronic equipment (WEEE) which, together with the RoHS Directive 2002/95/EC, became European Law in February 2003. The WEEE Directive set collection, recycling and recovery targets for all types of electrical goods, with a minimum rate of 4 kilograms per head of population per annum recovered for recycling by 2009. The RoHS Directive set restrictions upon European manufacturers as to the material content of new electronic equipment placed on the market.

Installation Instruction

Please refer to the Installation Instruction Manual provided with the product, or visit www.rainharvesting.com.au for a copy and view the Installation Video.



DISCLAIMER This product specification is not a complete guide to product usage. Further information is available from Rain Harvesting Pty Ltd and from the Installation and Operating Instructions. This specification sheet must be read in conjunction with the Installation and Operating Instructions and all applicable statutory requirements. Product specifications may change without notice. © Rain Harvesting Pty Ltd.